

Stainless Steel Modulating Angle Valve

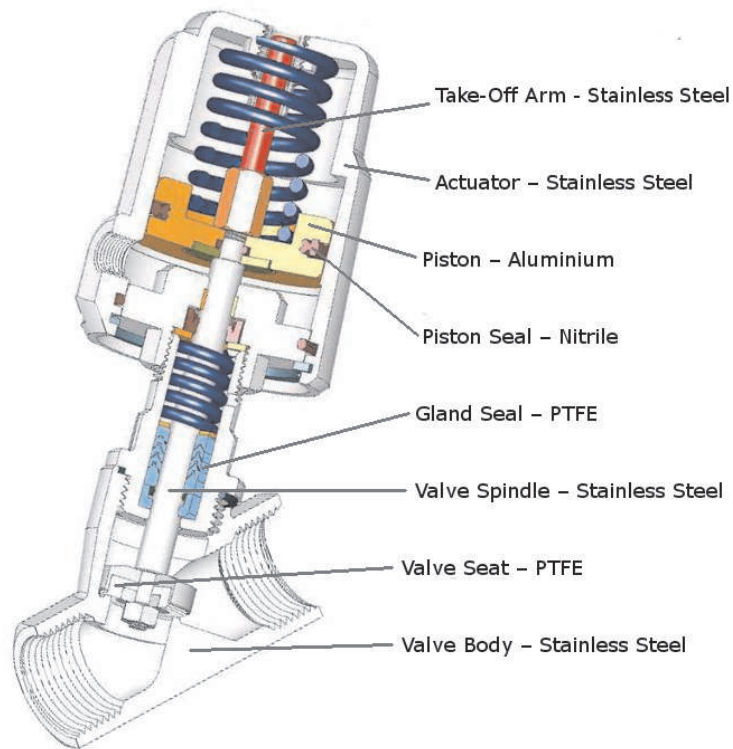
Typical Applications.

Air Drying Equipment
Autoclaves
Bottling & Dispensing Equipment
CIP Equipment
Disinfection
Food Industry
Gas Industry
Industrial Compressors
Ink & Paint Dispensing
Laundry Equipment
Medical Equipment
Pollution Control Equipment
Process Control Applications
Rubber machinery
Steam Applications
Sterilizers
Textile Dyeing & Drying

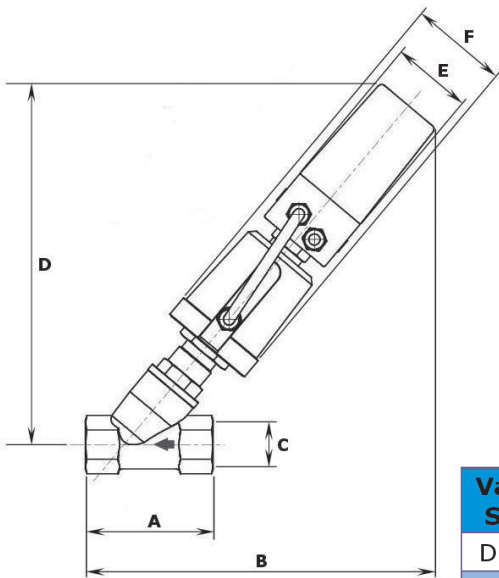


Nominal Size	DN10 to DN50
Connections	G $\frac{3}{8}$ - G2
Nominal Pressure	PN16
Medium	Neutral gases & liquids
Medium Viscosity	600 mm ² /s (600 cSt)
Medium Temperature	-10°C to 180°C
Operation	Direct
Control	Single Acting
Control Media	Compressed air 3-8 BarG
Control Signal	4-20 mA
Ambient Temperature	-10°C to 60°C
Installation	Actuator upwards

Construction (Valve/Actuator).



Dimensions.



Positioner Connections:

Electrical (Power & Signal): 1 x M12 Plug (A-Coded)
 Pneumatic Inlet: 6mm Push-In (Angle)

Valve Size	Actuator Size	K _v Value	A	B	C	D	E	øF
DN10	40	2	68	188	G ³ / ₈	196	42 x 42	46
DN15	40	2	68	188	G ¹ / ₂	196	42 x 42	46
DN20	50	3	75	205	G ³ / ₄	212	42 x 42	60
DN25	50	5	90	217	G1	221	42 x 42	60
DN32	63	15	116	256	G1 ¹ / ₄	256	42 x 42	77
DN40	63	21	120	258	G1 ¹ / ₂	259	42 x 42	77
DN50	63	38	138	271	G2	265	42 x 42	77